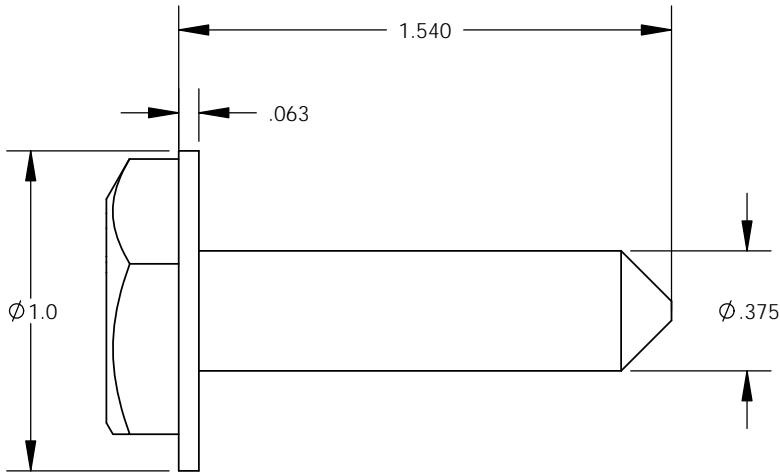
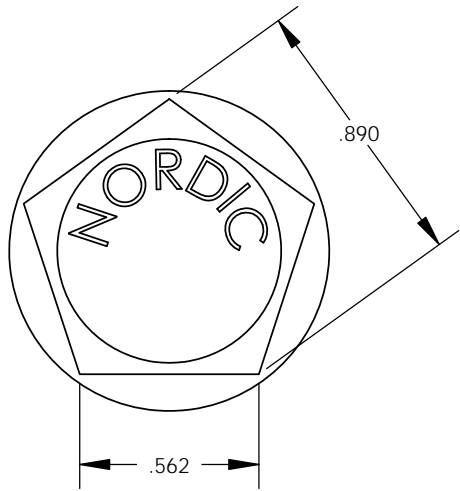
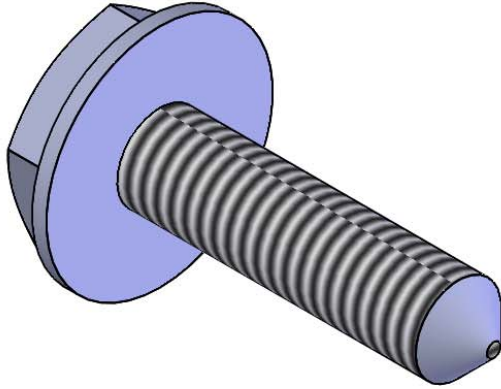


| REVISIONS | | | |
|-----------|-------------|-----------|----------|
| REV. | DESCRIPTION | DATE | APPROVED |
| REL-01 | | 9/25/2007 | |



Nordic Fiberglass, Inc.

21415 US Hwy 75 NW, Warren, MN 56762
 www.nordicfiberglass.com
 218-745-5095 ph. --- 218-745-4990 fax

PH-4, 3/8-16X1.5 (WASHER & POINT)

PROPRIETARY AND CONFIDENTIAL
 THE INFORMATION CONTAINED IN THIS DRAWING IS THE SOLE PROPERTY OF NORDIC FIBERGLASS, INC. ANY REPRODUCTION IN PART OR AS A WHOLE WITHOUT THE WRITTEN PERMISSION OF NORDIC FIBERGLASS, INC. IS PROHIBITED.

| | | |
|----------------------------|--------|---------------|
| Customer Name: N/A | | |
| DIMENSIONS ARE IN INCHES | | MATERIAL |
| TOLERANCES: ANGLES ± 1° | | 304 Stainless |
| FRACTIONAL ± 1/2 | | |
| ONE PLACE DECIMAL ± .060 | | |
| TWO PLACE DECIMAL ± .030 | | |
| THREE PLACE DECIMAL ± .015 | | |
| DRAWN | P.J.W. | DATE |
| CHECKED | --- | --/--/--- |

| | | |
|-----------|--------------|---------------|
| SIZE | ITEM ID: | REV. |
| A | HAPE0005 | REL-01 |
| SCALE:1:1 | SHEET 1 OF 1 | |